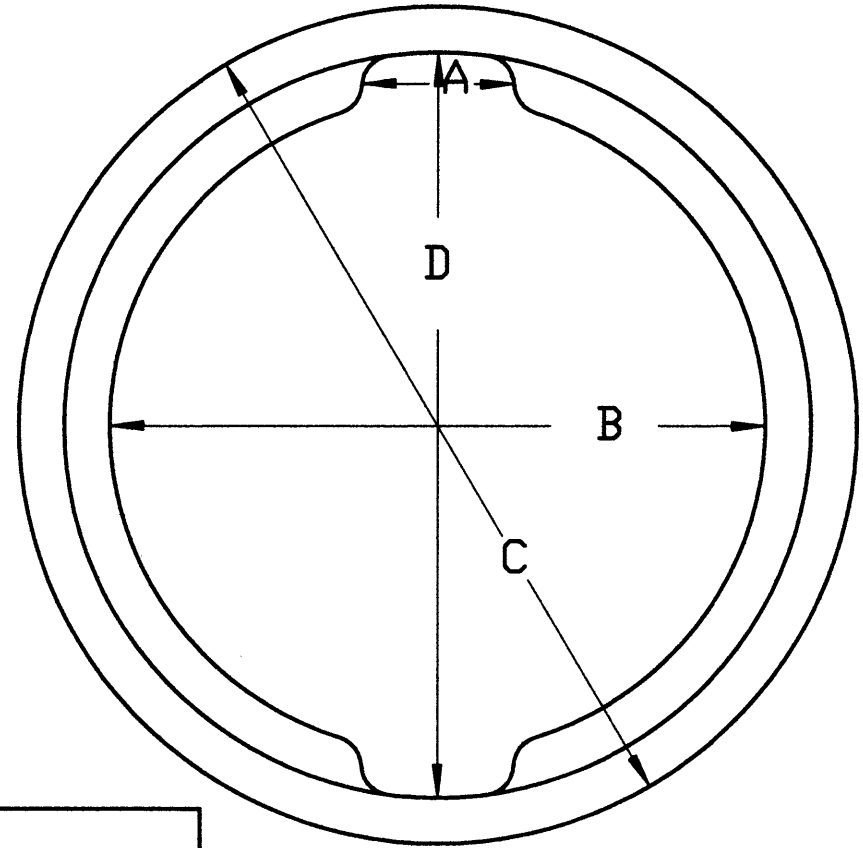
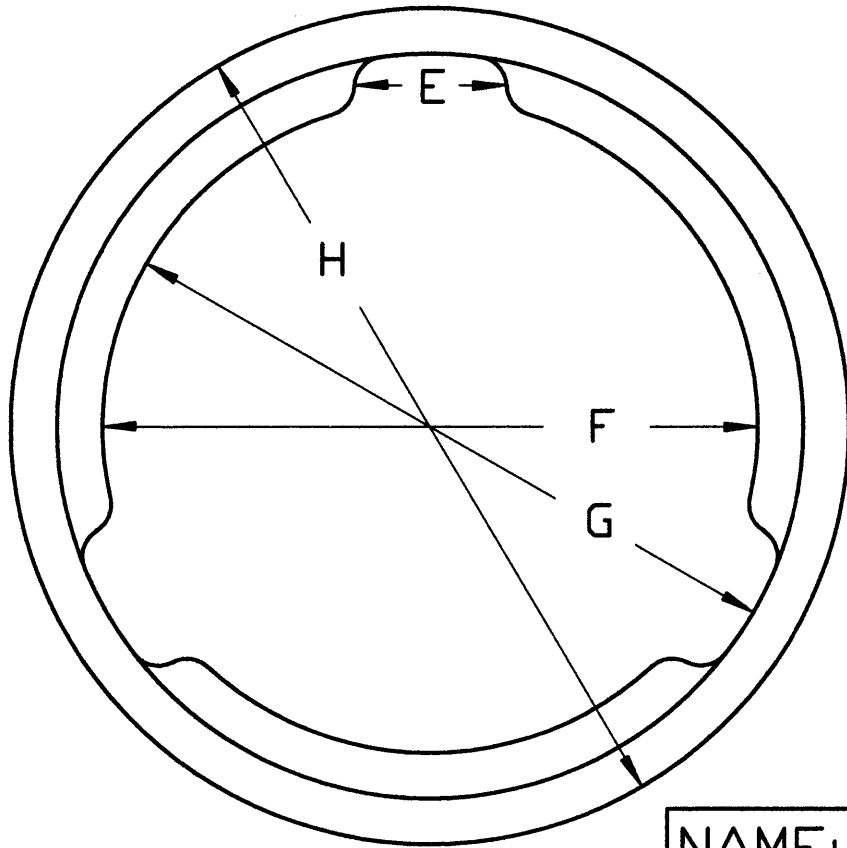


I.T.S. FILLER NECK DIAGRAM

3 GAP

2 GAP



NAME:

COMPANY:

MAKE:

MODEL:

TEL NO:

MOBILE:

3 GAP		
E		mm
F		mm
G		mm
H		mm

2 GAP		
A		mm
B		mm
C		mm
D		mm